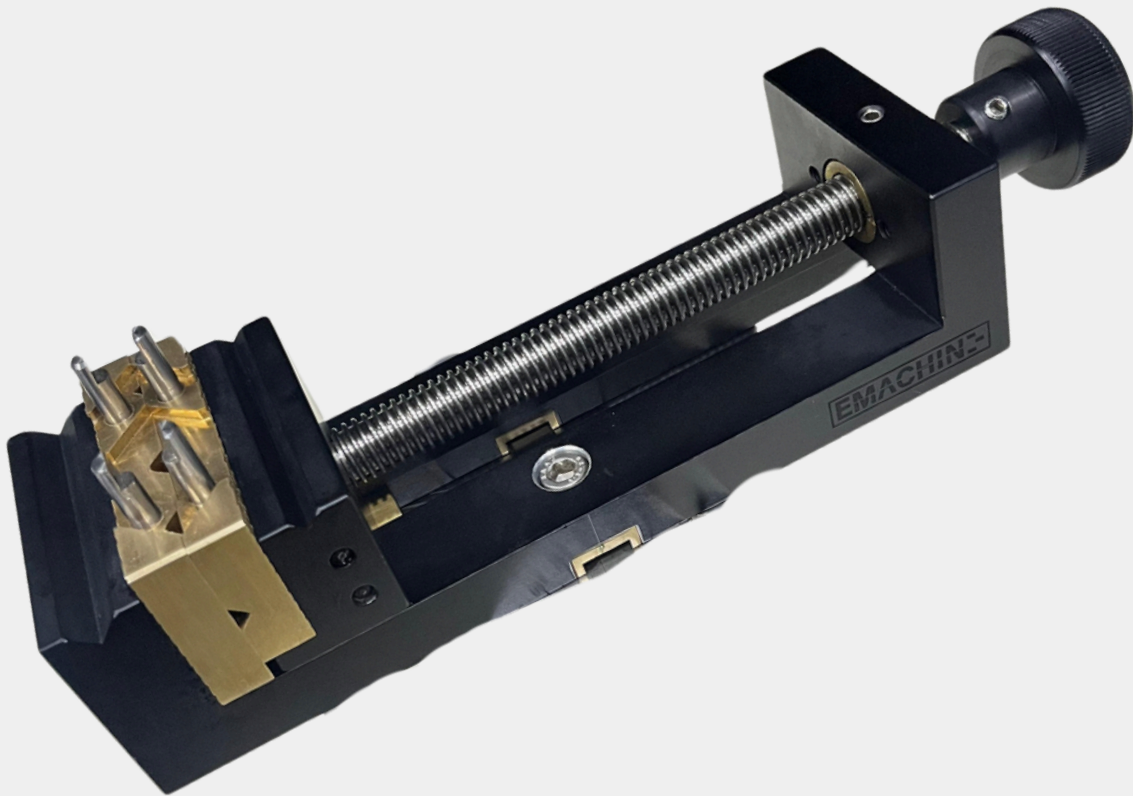


# WORK HOLDING VICE | 102

---



102-WORK HOLDING VICE

## KEY FEATURES

Model: HCHCR with ENP Coating

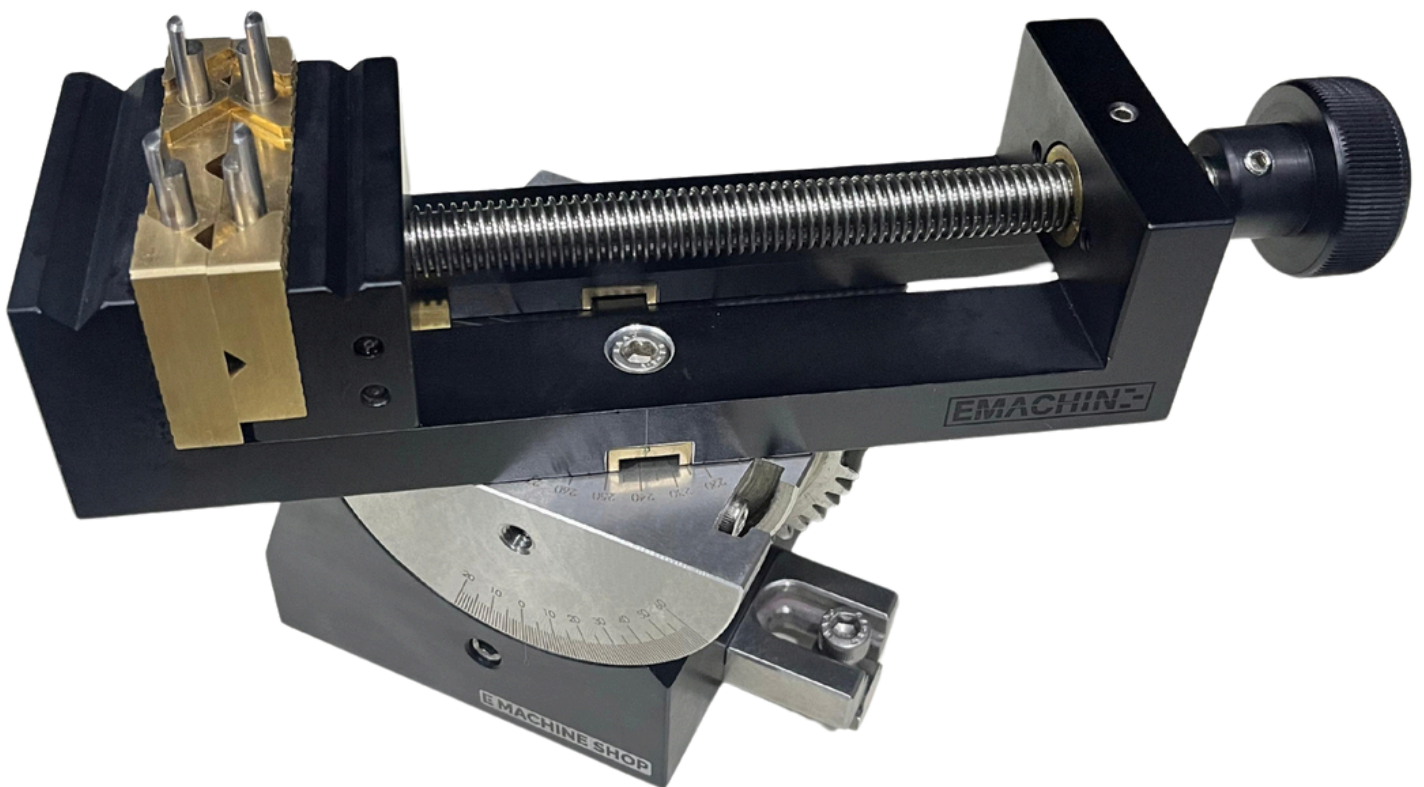
- **Part Number: 1021001**  
Jaw Open: 50MM  
Material/Finish: HCHCR, ENP Coating
- **Part Number: 1021009**  
Jaw Open: 100MM  
Material/Finish: HCHCR, ENP Coating
- **Part Number: 1021006**  
Jaw Open: 150MM  
Material/Finish: HCHCR, ENP Coating
- **Part Number: 1021008**  
Jaw Open: 200MM  
Material/Finish: HCHCR, ENP Coating



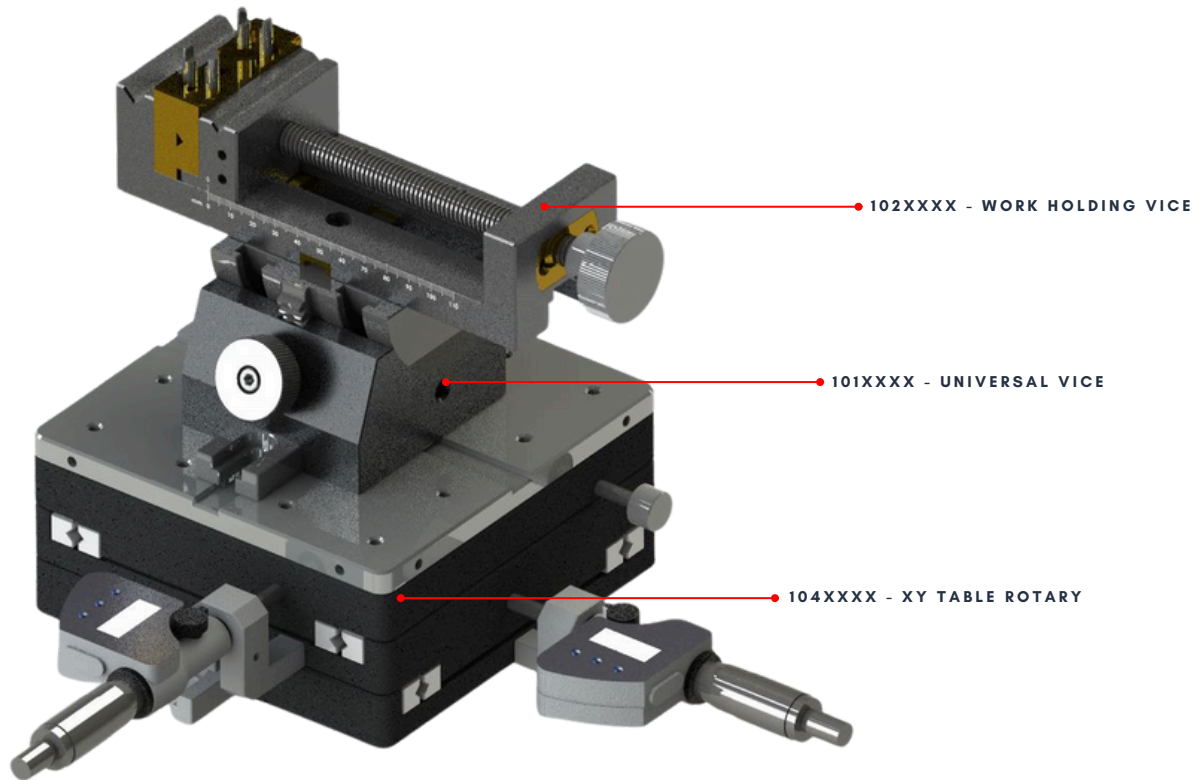
## KEY FEATURES

Model: Aluminium Vice with Centre Guide & Holding Pin

- **Part Number: 1021005**  
Jaw Open: 50MM  
Material/Finish: Aluminium, Hard Anodising Black
- **Part Number: 1021005**  
Jaw Open: 100MM  
Material/Finish: Aluminium, Hard Anodising Black
- **Part Number: 1021005**  
Jaw Open: 200MM  
Material/Finish: Aluminium, Hard Anodising Black



# 102-WORK HOLDING VICE



THE ITEM WILL BE ATTACHED TO ALL THE PRODUCTS LISTED BELOW.

## WORK HOLDING VICE

PART NUMBER	DISCRIPTION
1021010	Vice 50mm
1021011	Vice 100mm
1021012	Vice 150mm

## Y TABLE ROTARY

PART NUMBER	DISCRIPTION
1031001	Y Table 160mm with micrometer
1031002	Y Table 200mm with micrometer
1031003	Y Table 250mm with micrometer
1031004	Y Table 160mm with Digital micrometer
1031005	Y Table 200mm with Digital micrometer
1031006	Y Table 250mm with Digital micrometer
1031007	Y Table 160mm with knob
1031008	Y Table 200mm with knob
1031009	Y Table 250mm with knob

## CHUCK

PART NUMBER	DISCRIPTION
1091001	3 JAW CHUCK
1091002	3 JAW CHUCK

## XY TABLE ROTARY

PART NUMBER	DISCRIPTION
1041001	XY Table 160mm with micrometer
1041002	XY Table 200mm with micrometer
1041003	XY Table 250mm with micrometer
1041004	XY Table 160mm with Digital micrometer
1041005	XY Table 200mm with Digital micrometer
1041006	XY Table 250mm with Digital micrometer
1041007	XY Table 160mm with knob
1041008	XY Table 200mm with knob
1041009	XY Table 250mm with knob
1041010	XY Table Rotary 160mm with micrometer
1041011	XY Table Rotary 200mm with micrometer
1041012	XY Table Rotary 250mm with micrometer
1041013	XY Table Rotary 160mm with Digital micrometer
1041014	XY Table Rotary 200mm with Digital micrometer
1041015	XY Table Rotary 250mm with Digital micrometer
1041016	XY Table Rotary 160mm with knob
1041017	XY Table Rotary 200mm with knob
1041018	XY Table Rotary 250mm with knob
1041019	XY Table 300mm with knob
1041020	XY Table Rotary 300mm with knob

## EMACHINESHOP



3/2, Swarnambigai street, Ekkatuthangal,  
Chennai, Tamil Nadu 600032



[sales@emachineshop.in](mailto:sales@emachineshop.in)



[www.emachineshop.in](http://www.emachineshop.in)

**Where Precision Meets Innovation**