

BALL DROP

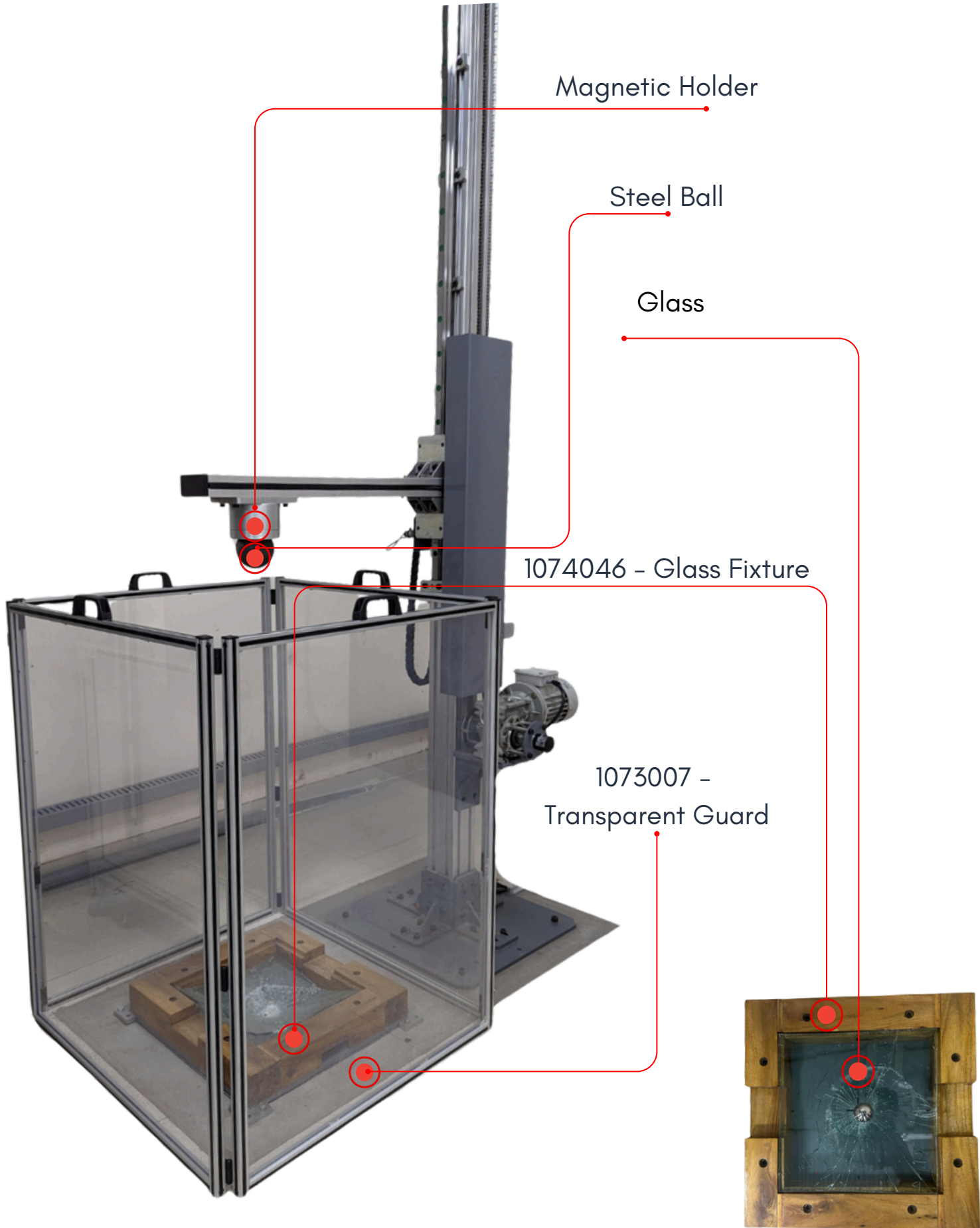
| 107



107 - BALL DROP

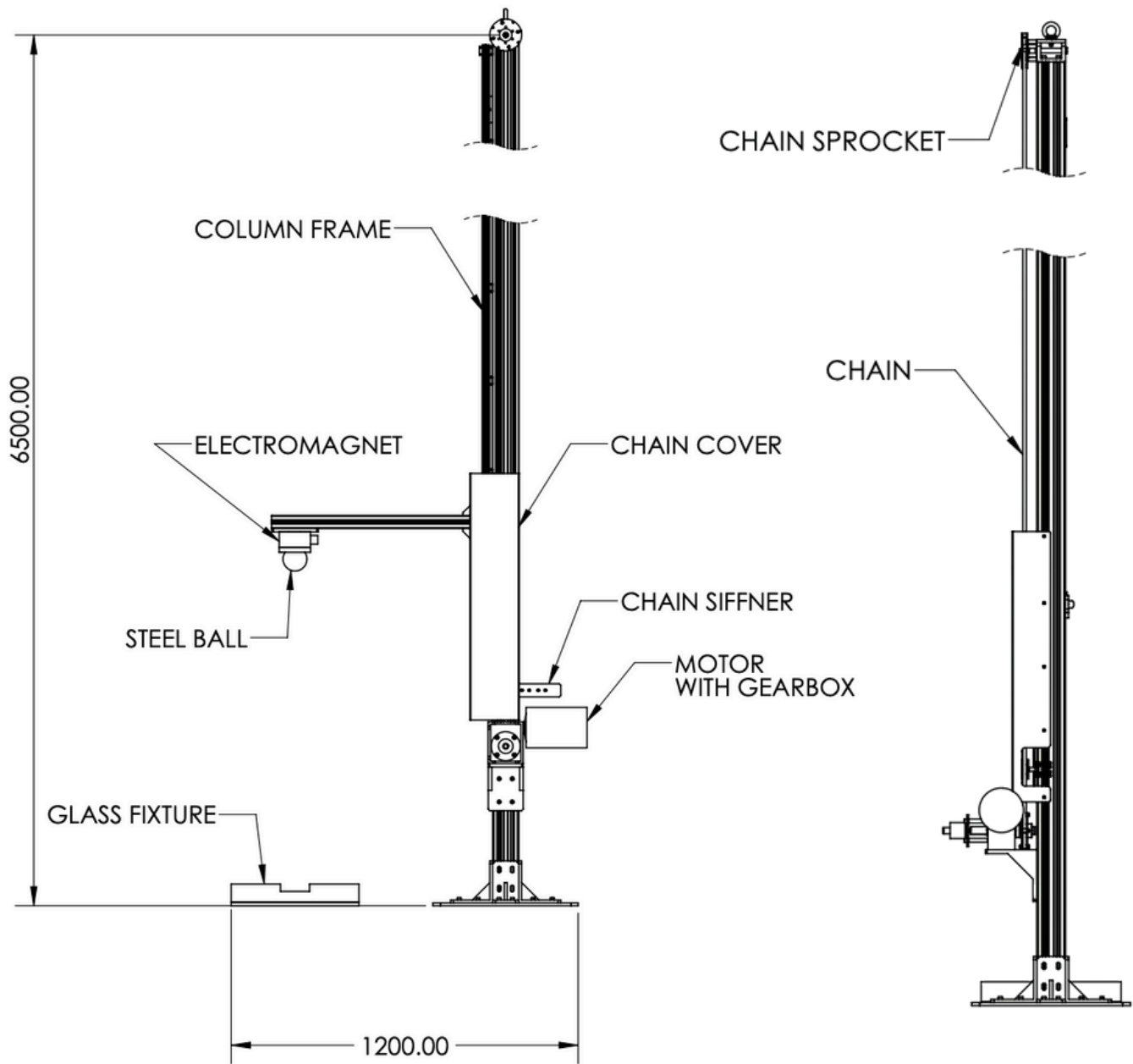


107 - BALL DROP



107 - BALL DROP

2D - Drawing



107 - BALL DROP

Bill of Material :

PART NUMBER	Part Name	Material	Dimensions/Specifications
1076021	Steel Ball (Impact Object)	Hardened Steel	Diameter: 63.5 mm (1,040 ± 2 g)
1076022			38 mm (225 ± 2 g)
1074046	Glass Fixture	Steel with Rubber Padding	Frame Width: 15 mm Rubber Strip Thickness: 3 mm (Hardness: 40 ± 10 IRHD)
1074040	Electro-Magnetic Chuck	Aluminium	Diameter - 108mm
1074058	Structure	Aluminium	Height - 6 meter
1071002			Height - 12 meter
1073007	Transparent guard	Aluminium/Acrylic	L X W X H 760mm X 760mm X 950 mm

Test Type	Glass Dimensions	Steel Ball	Drop Height
Toughened Safety Glass Impact Test	610 mm × 610 mm	63.5 mm diameter, 1,040 ± 2 g	100 cm
Laminated Safety Glass Fracture & Adhesion Test	300 mm × 300 mm	38 mm diameter, 225 ± 2 g	4.88 m
High-Impact Ball Drop Test	500 ± 5 mm × 500 ± 5 mm	63.5 mm diameter, 1,040 ± 2 g	4 m

Safety Glass Standards & Compliance

Our ball drop test equipment applicable below standards. These standards define the manufacturing, performance, and testing requirements for safety glass used in architectural, automotive, and industrial applications.



Applicable Standards:

Standard	Description
IS 2553 (Part 2)	Indian Standard for safety glazing in buildings and automobiles
BS 6206	British Standard for impact performance of safety glass
EN 12150	European Standard for toughened safety glass
EN 14449	European Standard for laminated safety glass
ANSI Z97.1	American Standard for safety glazing materials in buildings
ASTM C1048	American Standard for heat-treated flat glass
ISO 12543	International Standard for laminated glass
ECE R43	Automotive safety glass regulations for vehicle glazing

EMACHINESHOP



3/2, Swarnambigai street, Ekkatuthangal,
Chennai, Tamil Nadu 600032



sales@emachineshop.in



www.emachineshop.in