

# CHUCK

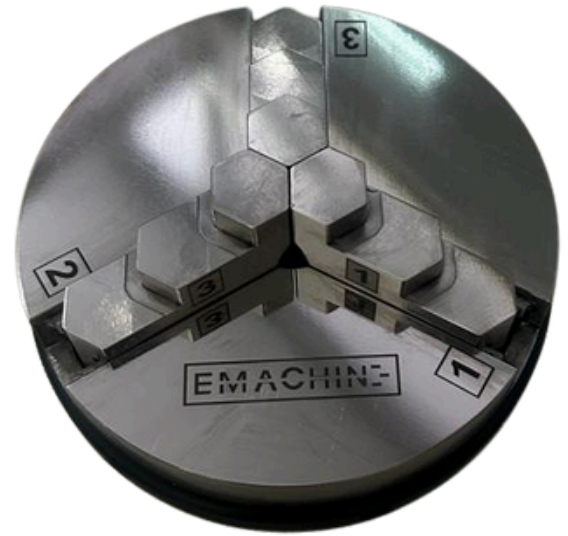
| 109



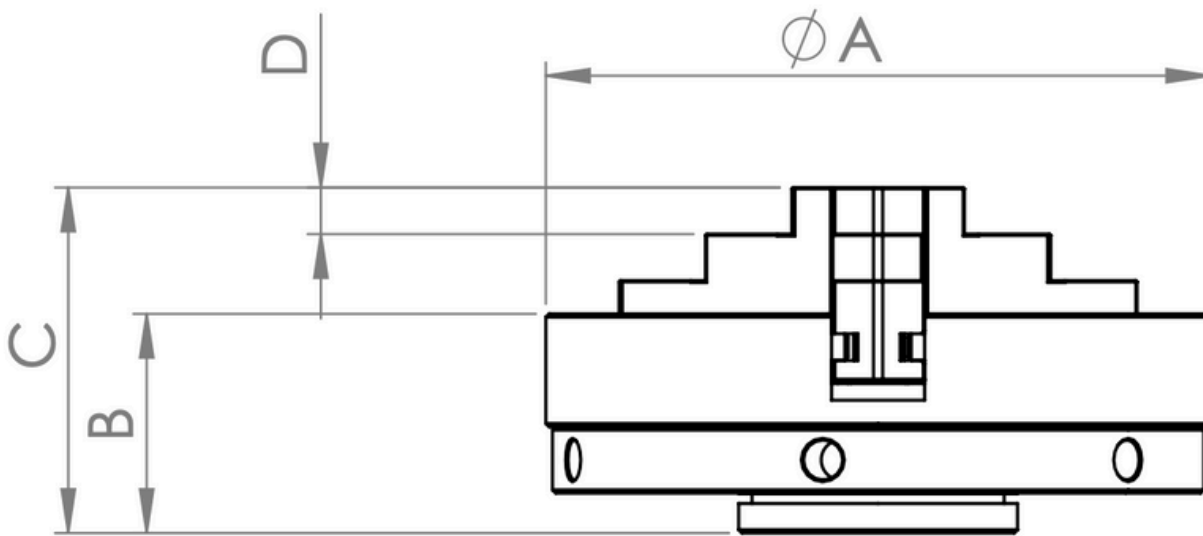
109 - CHUCK

## 1091002 - 3 JAW CHUCK

These chucks have been specifically designed to meet requirements for a low clamping force with high precision. For internal and external holding of cylindrical workpieces. The jaws are moved in and out by simply rotating the clamping ring by hand or using the supplied lever. supplied as standard are reversible. The jaw number is marked on the top and bottom face of each jaw. The jaw number is marked on the matching slot of the chuck body.



2D - Drawing

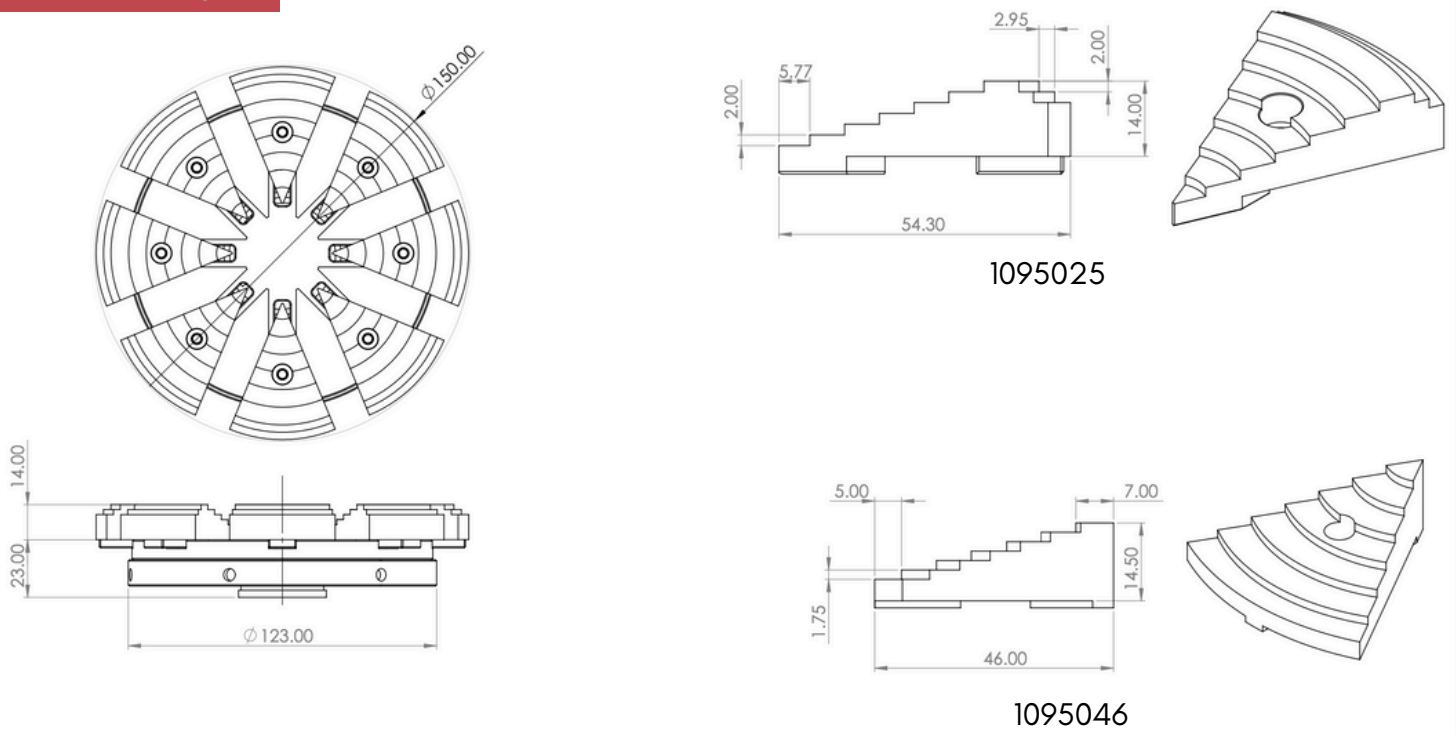


S.,NO	PART NUMBER	FORWARD JAW		REVERSE JAW		A	B	C	D
1	1091001	ID: MIN=20mm MAX = 60mm	OD: MIN=5mm MAX=30mm	ID: MIN=50mm MAX = 70mm	OD: MIN=5mm MAX=60mm	66	28	38	4
2	1091005	ID: MIN=30mm MAX = 100mm	OD: MIN=5mm MAX=50mm	ID: MIN=90mm MAX = 120mm	OD: MIN=5mm MAX=100mm	100	33	52	7
3	1091008	ID: MIN=35mm MAX = 150mm	OD: MIN=5mm MAX=75mm	ID: MIN=120mm MAX = 165mm	OD: MIN=5mm MAX=150mm	150	40	55	7

1091003 - RIM JAW CHUCK



2D - Drawing



1095025

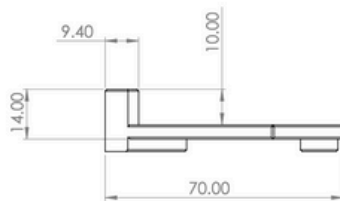
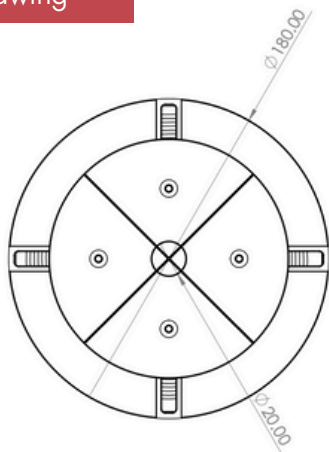
1095046

S.,NO	PART NUMBER	CLAMPING RANGE
1	1095025	OD = 5-120mm ID = 100-140mm
2	1095046	OD = 5 - 40mm ID = 16 - 120mm

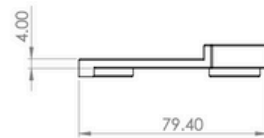
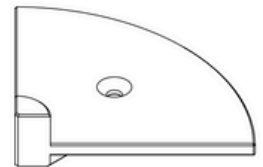
1091004 - COLLET CHUCK



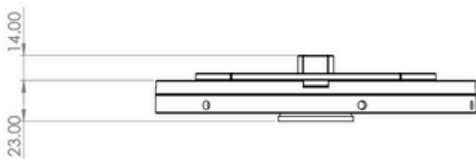
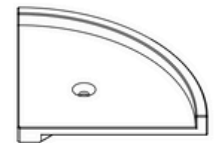
2D - Drawing



1095037



1095036



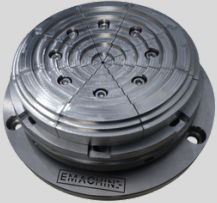
S.,NO	PART NUMBER	CLAMPING RANGE
1	1095037	OD = 5-80mm ID = 21-110mm
2	1095036	OD = 140 - 200mm

## PRICE LIST

### 1091002 - 3 JAW CHUCK

PRODUCT PICTURE	PART NUMBER	SPEC				MATERIAL	PRICE ₹
		FORWARD JAW		REVERSE JAW			
	1091001	ID: MIN=31mm MAX = 70mm	OD: MIN=5mm MAX=40mm	ID: MIN=70mm MAX = 120mm	OD: MIN=55mm MAX=75mm	HCHCR	25,000
	1091002	ID: MIN=30mm MAX = 100mm	OD: MIN=5mm MAX=40mm	ID: MIN=90mm MAX = 130mm	OD: MIN=5mm MAX=130mm	HCHCR SS	33,000 38,000

### 1091003 - RIM JAW CHUCK

PRODUCT PICTURE	PART NUMBER	SPEC	MATERIAL	PRICE ₹
		CLAMPING RANGE		
	1095025	OD = 5-120mm ID = 100-140mm	SS	46,000
	1095046	OD = 5 - 40mm ID = 16 - 120mm		

### 1091004 - COLLET CHUCK

PRODUCT PICTURE	PART NUMBER	SPEC	MATERIAL	PRICE ₹
		CLAMPING RANGE		
	1095037	OD = 5-80mm ID = 21-110mm	SS	55,000
	1095036	OD = 140 - 200mm		

## EMACHINESHOP



3/2, Swarnambigai street, Ekkatuthangal,  
Chennai, Tamil Nadu 600032



[sales@emachineshop.in](mailto:sales@emachineshop.in)



[www.emachineshop.in](http://www.emachineshop.in)

EMACHINE