

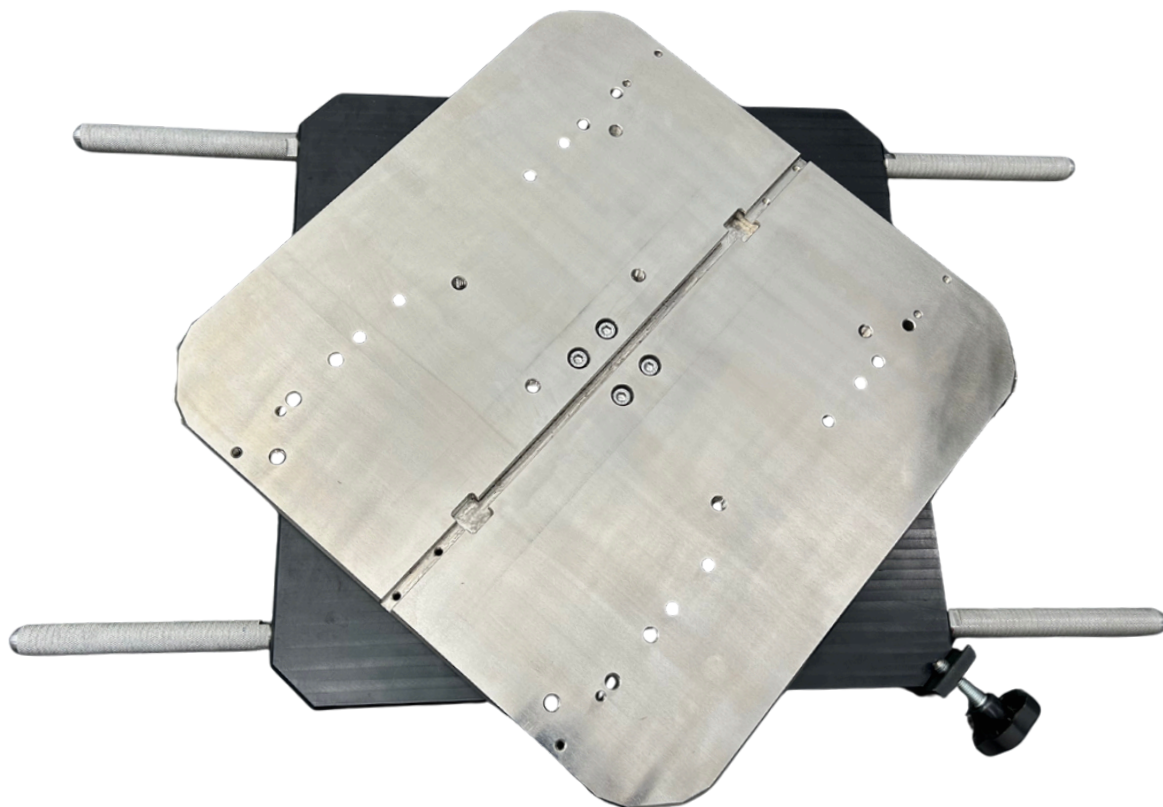
MOTORIZED X,Y TABLE | 135

135 - MOTORIZED X,Y TABLE



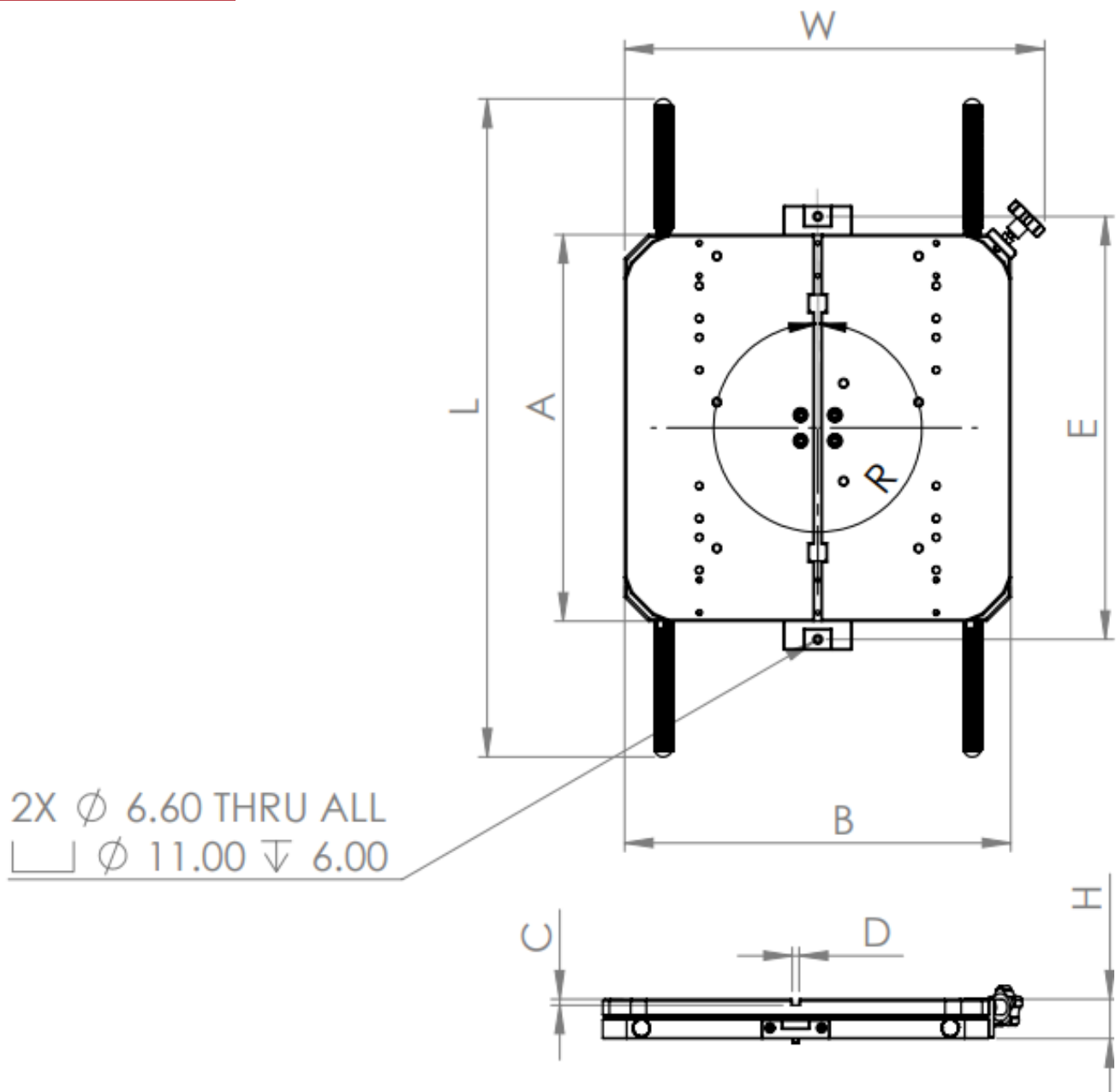
Key Features:

- 360° Rotation: Seamless full-circle movement for versatile positioning.
- Locking Mechanism: Automatically locks at every 90° position (0°, 90°, 180°, 270°) ensuring repeatable alignment.
- T-Slot Design: Built-in T-slots for flexible mounting of jigs, fixtures, or tools.
- Durable Build: Made from high-grade [material – please confirm], ensuring long life under rugged use.
- Application Ready: Suitable for CNC tables, welding fixtures, testing equipment, and more.



135 - MOTORIZED X,Y TABLE

2D - Drawing



PART NO.	W	H	L	A	B	C	D	E	R
135	766mm	490mm	46mm	450mm	450mm	7mm	8mm	492.32mm	360

EMACHINESHOP



3/2, Swarnambigai street, Ekkatuthangal,
Chennai, Tamil Nadu 600032



sales@emachineshop.in



www.emachineshop.in