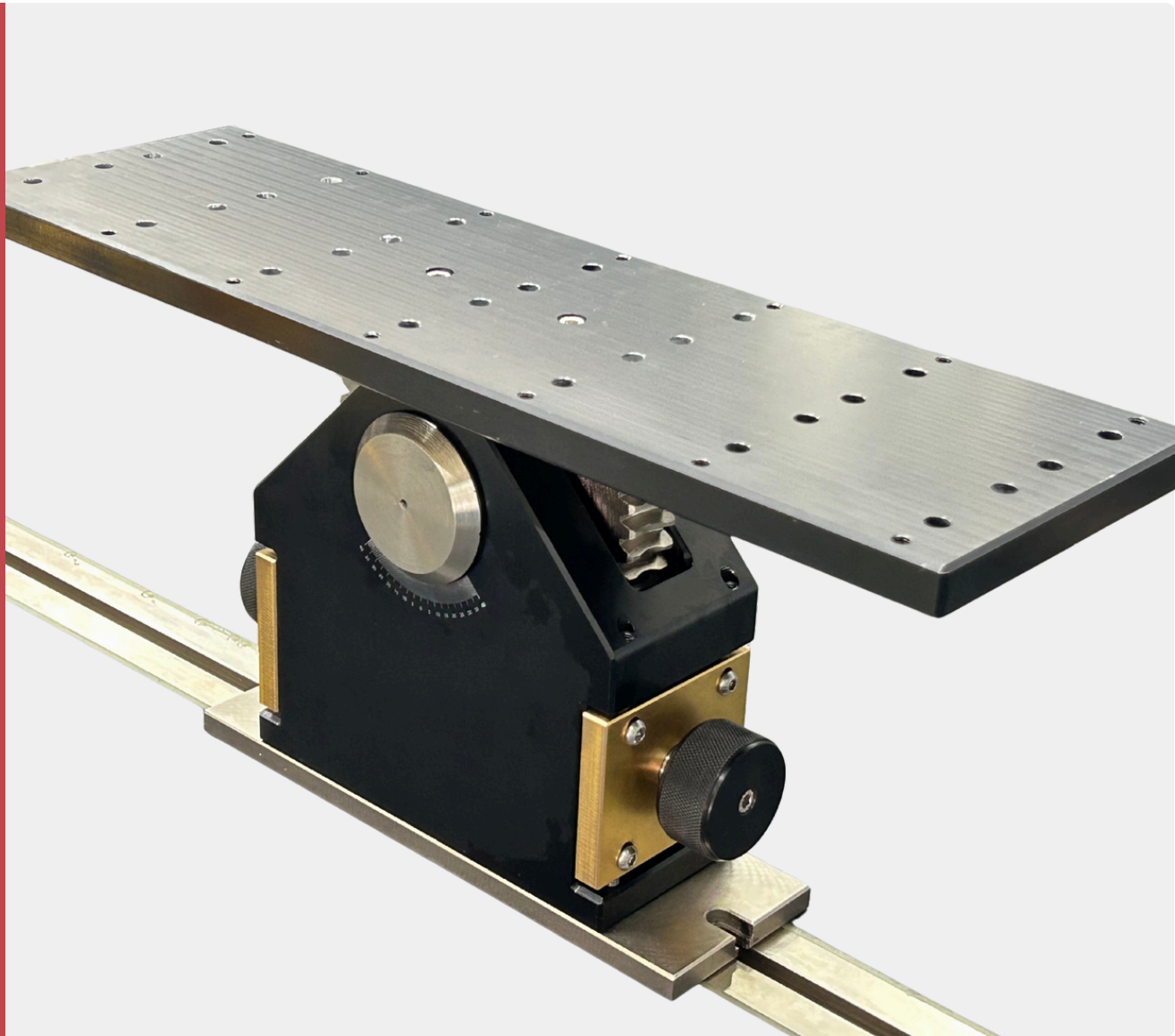


# MOTORIZED X,Y TABLE | 135

---



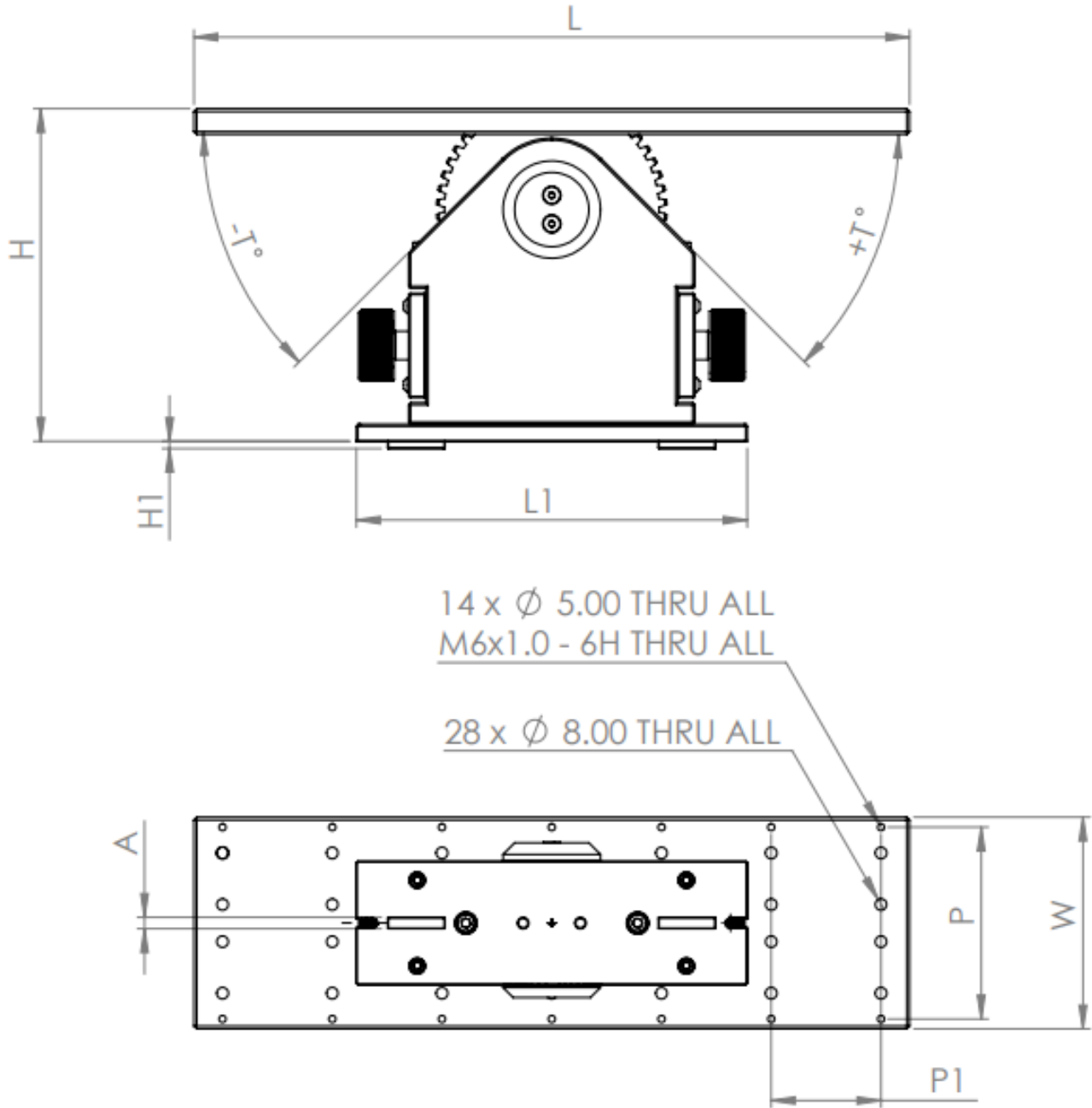
135 - MOTORIZED X,Y TABLE

### Key Features:

- **360° Rotation:** Seamless full-circle movement for versatile positioning.
- **Locking Mechanism:** Automatically locks at every 90° position (0°, 90°, 180°, 270°) ensuring repeatable alignment.
- **T-Slot Design:** Built-in T-slots for flexible mounting of jigs, fixtures, or tools.
- **Durable Build:** Made from high-grade [material – please confirm], ensuring long life under rugged use.
- **Application Ready:** Suitable for CNC tables, welding fixtures, testing equipment, and more.

# 135 - MOTORIZED X,Y TABLE

2D - Drawing



PART NO.	W	H	L	H1	L1	-T	+T	P	P1	A
135	232.50mm	148mm	500mm	5.20mm	450mm	45	45	134mm	76.6mm	7.93mm

## EMACHINESHOP



3/2, Swarnambigai street, Ekkatuthangal,  
Chennai, Tamil Nadu 600032



[sales@emachineshop.in](mailto:sales@emachineshop.in)



[www.emachineshop.in](http://www.emachineshop.in)

**Where Precision Meets Innovation**