

# COLUMN AND BASE | 105

---

105 - MANUAL COLUMN



This geomet column and base assembly seems to be a highly versatile and mobile inspection system, specifically tailored for very large components that may not be easily transportable to a fixed inspection table. The multi-axis movement, precise adjustments, and rotation features make it suitable for comprehensive inspections of oversized parts in different industrial applications.

Rotation of Column - 360°, release and lock with fine adjustment.  
Y axis cross slide  $\pm 12.5 - 0.01$  mm, movement on precision cross roller bearings

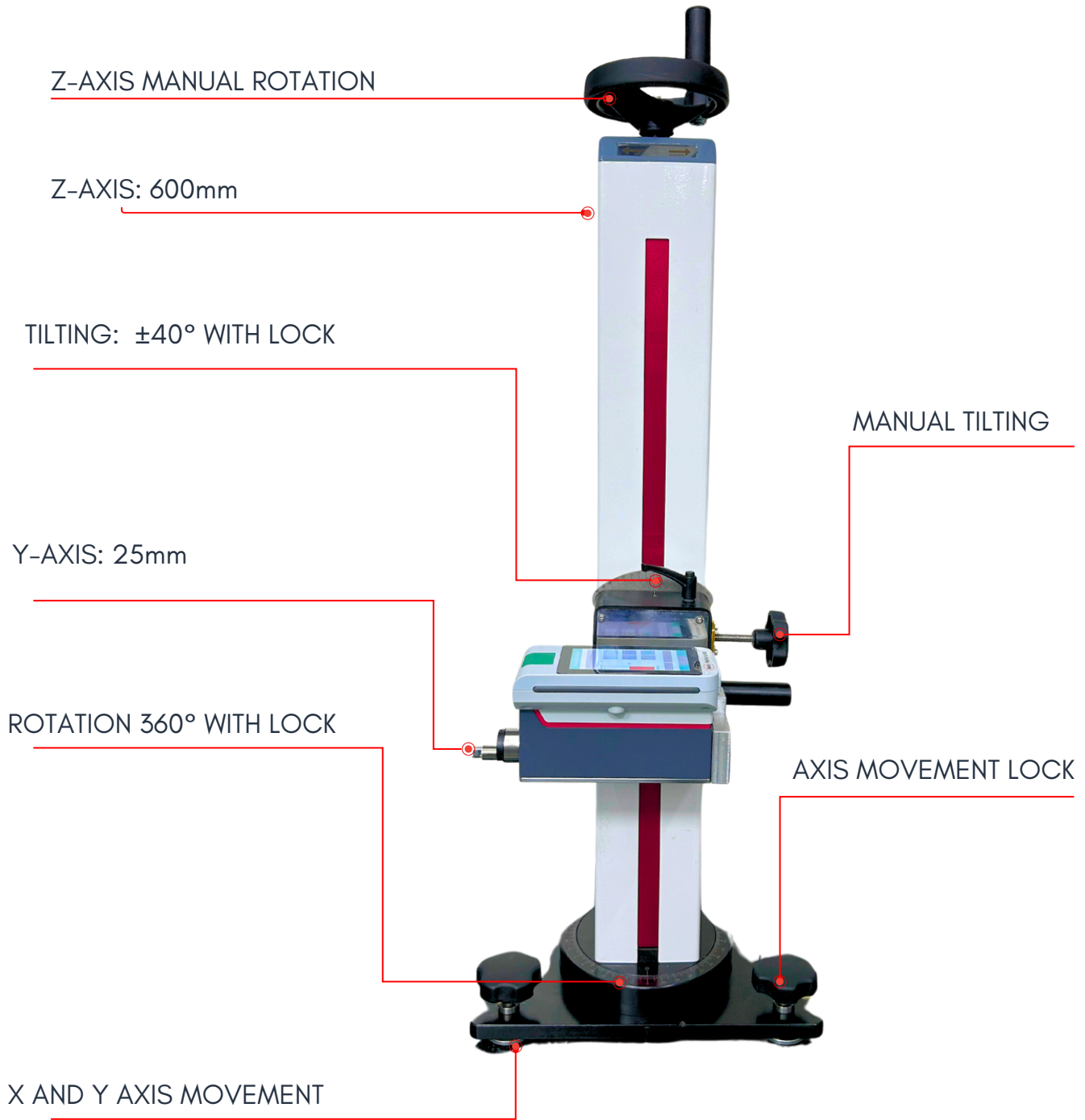
**Profile Measuring Device:** Equipped for measuring profiles, possibly in the context of surface roughness testing.

**Rotary Plate:** Surface roughness testing equipment is fixed on a rotary plate. The rotary plate can be moved towards the Z-axis by the motor, controlled by the joystick.

**Overall Dimensions with Column:**

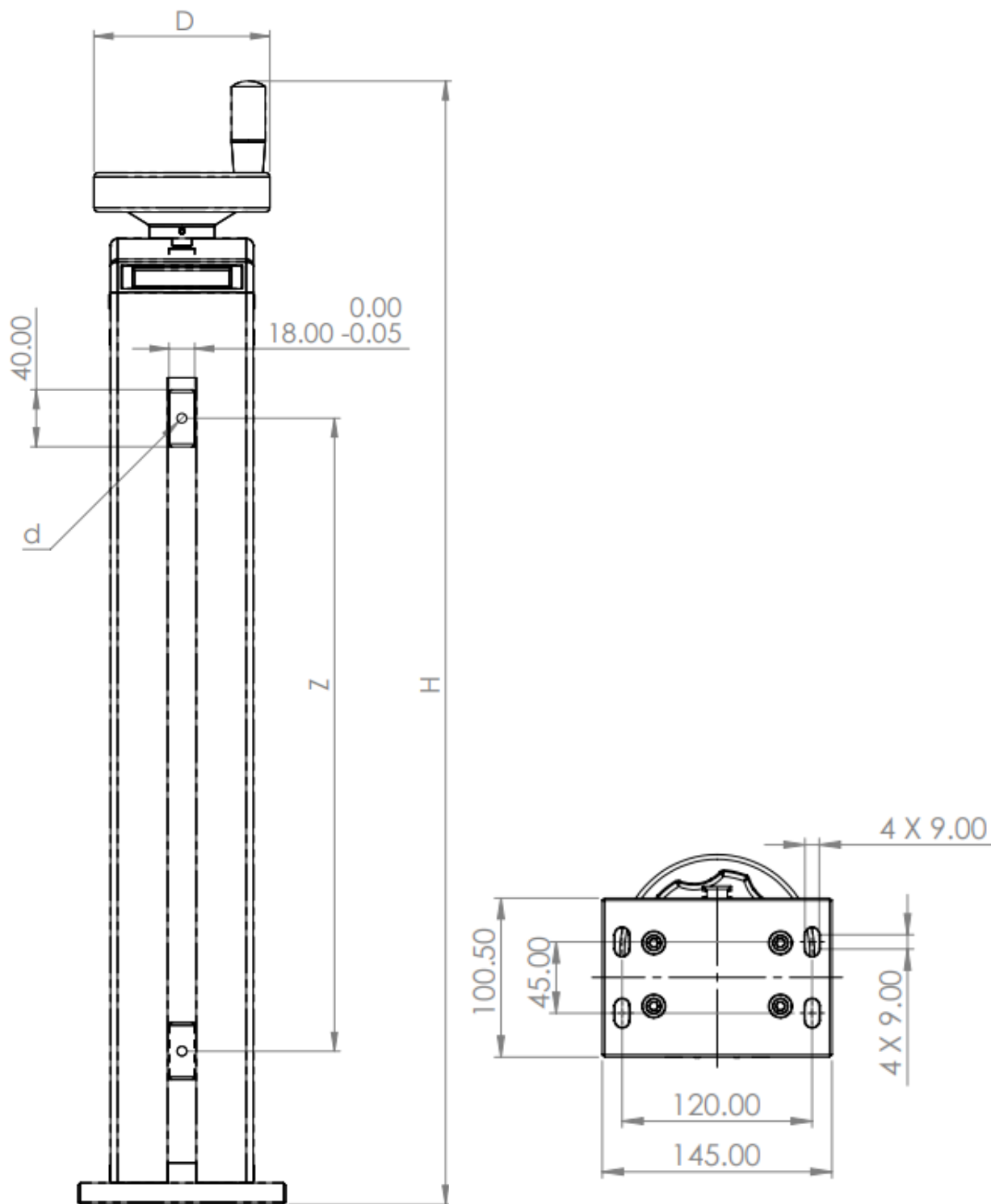
Length (L): 330 mm,  
Breadth (B): 280 mm  
Height (H): 850 mm





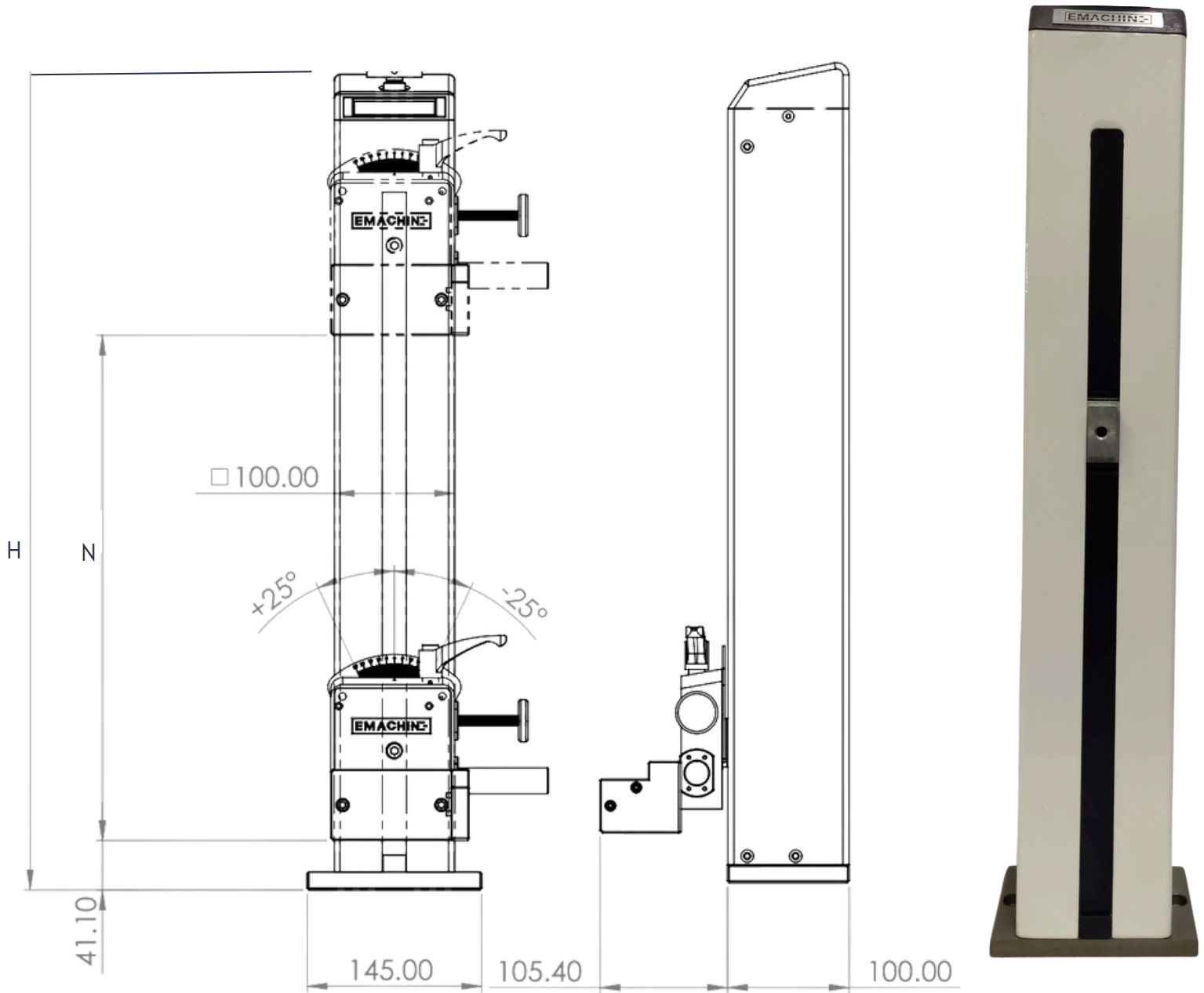
S.NO	PART NUMBER	DISCRIPTION	A	B
1	1052004	COLUMN 400	785mm	400mm
2	1052006	COLUMN 300	685mm	300mm
3	1052007	COLUMN 500	885mm	500mm

# 105 - MANUAL COLUMN



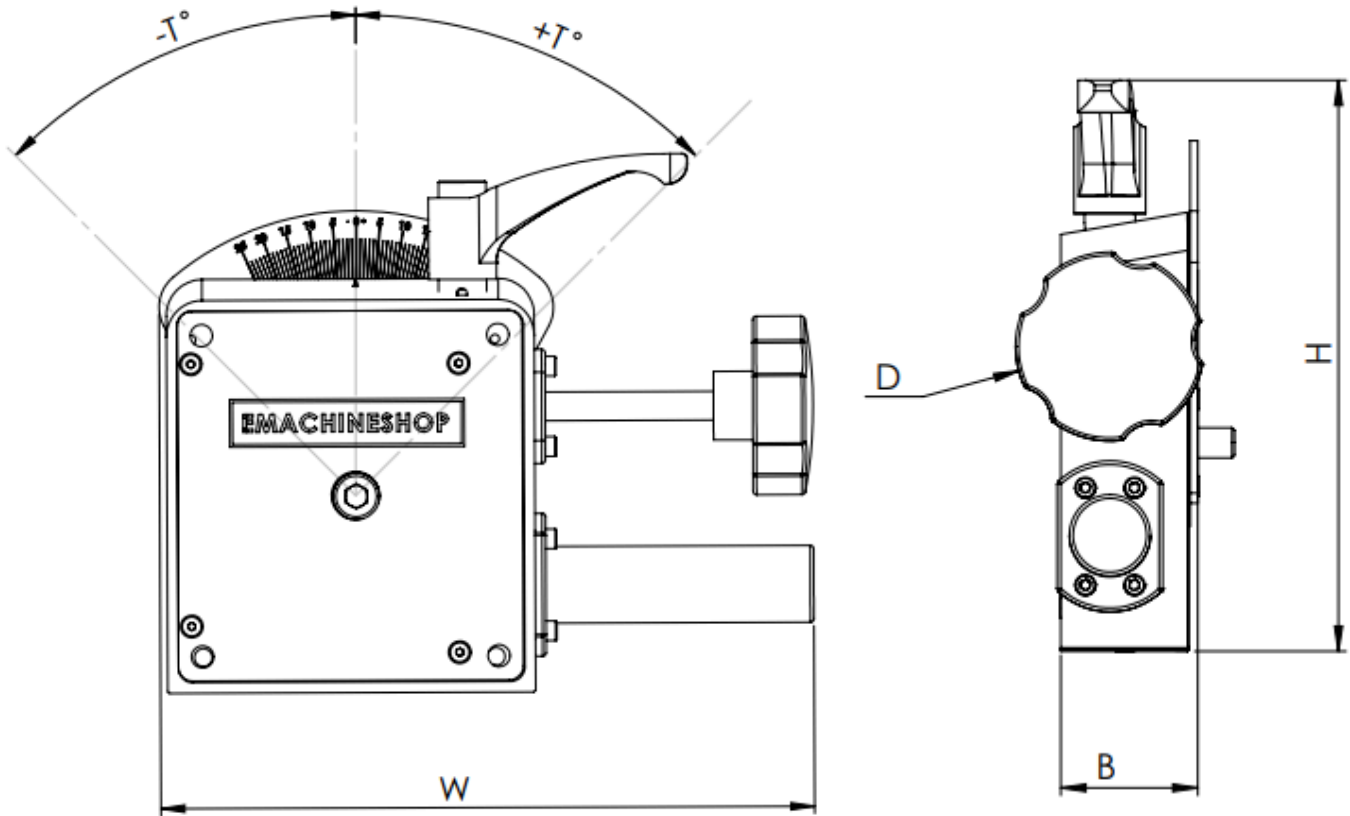
PART NUMBER	DISCRIPTION	H	Z	D	d
1052001	COLUMN 300	690mm	350mm	Ø123	m8 X 1.25
1052002	COLUMN 400	790mm	400mm	Ø123	m8 X 1.25
1052003	COLUMN 500	890mm	500mm	Ø123	m8 X 1.25
1052004	COLUMN 600	990mm	600mm	Ø123	m8 X 1.25

# 105 - MOTORIZED COLUMN



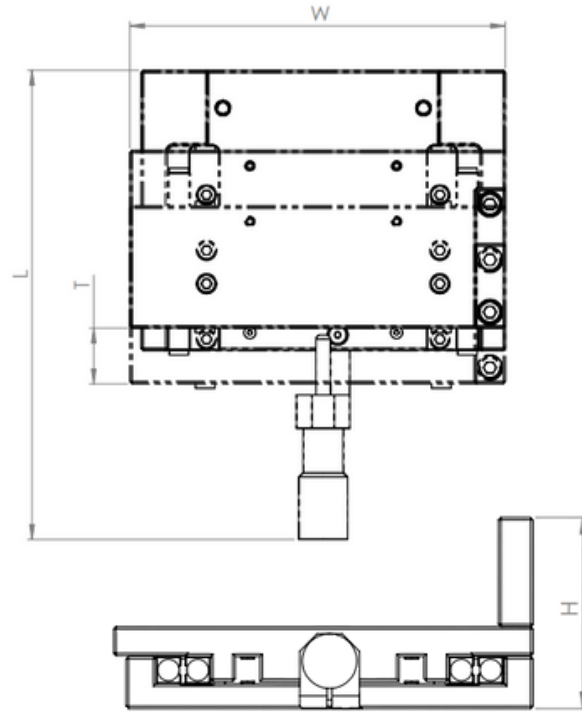
S.NO	PART NUMBER	DISCRIPTION	A	B
1	1052010	COLUMN 300	700mm	300mm
2	1052011	COLUMN 400	800mm	400mm
3	1052012	COLUMN 500	900mm	500mm
4	1052013	COLUMN 600	1000mm	600mm

# 105 - COLUMN AND BACE

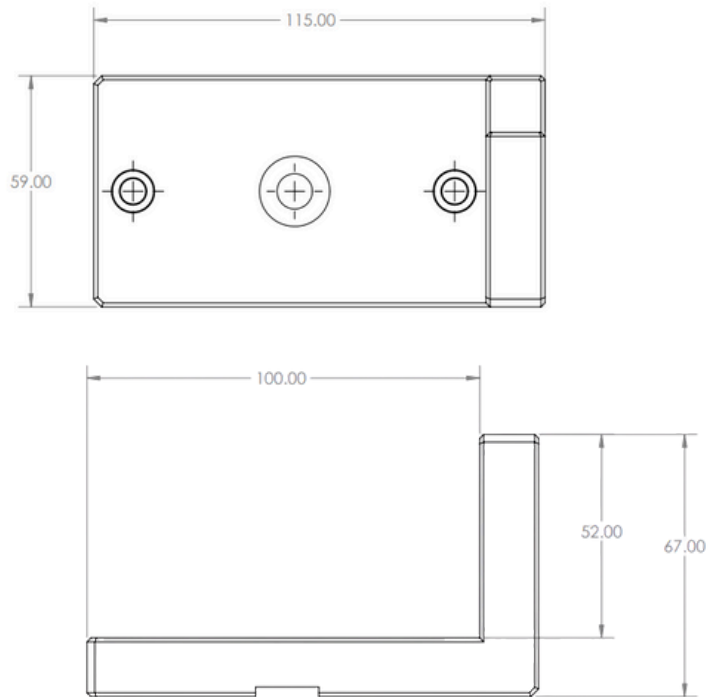


PART NUMBER	H	W	B	D	+T	-T
1052005	135mm	180mm	36mm	Ø50mm	+25°	+25°
1052006	150mm	180mm	41mm	Ø50mm	+45°	+45°

# 105 - COLUMN AND BASE

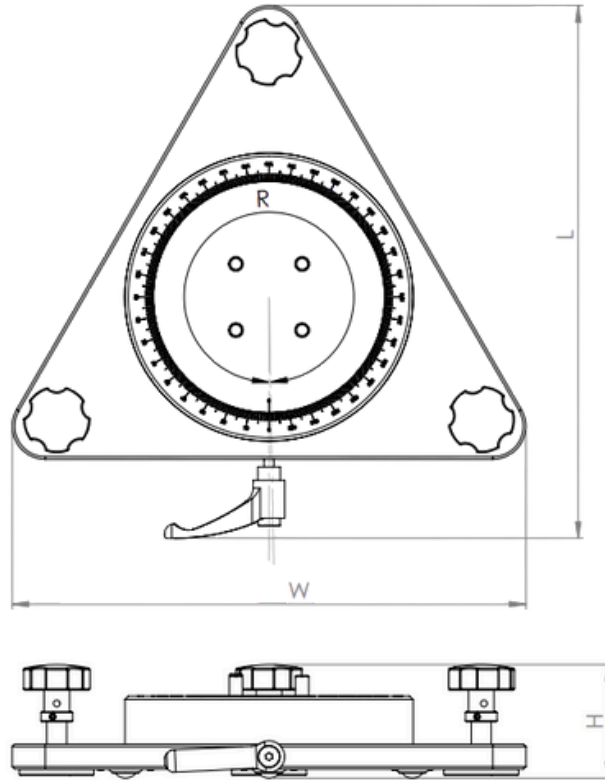


PART NUMBER	H	W	L	T
1052007	77mm	169mm	211mm	25mm
1052008	98mm	164mm	210mm	25mm

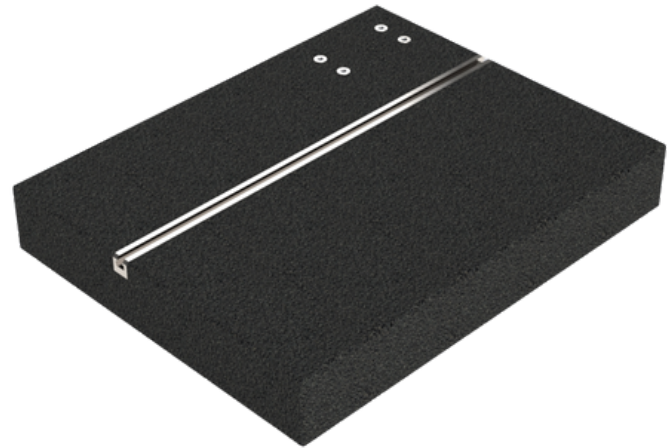
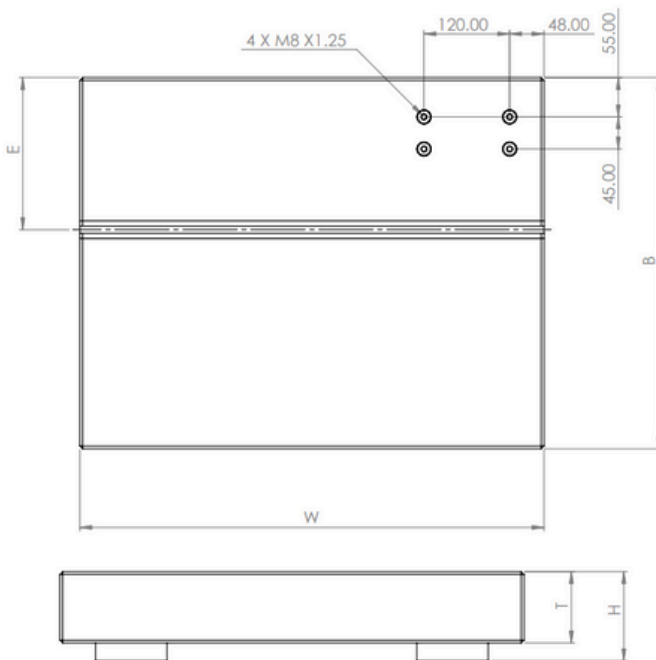


PART NUMBER	H	W	B	D	T	E
1055100	125mm	650mm	520mm	Ø50mm	100mm	213mm
1055101	125mm	650mm	520mm	Ø50mm	100mm	213mm

# 105 - COLUMN AND BACE



PART NUMBER	H	W	L	R
1052009	80mm	310mm	322mm	360°



PART NUMBER	H	W	B	T
1053001	105mm	650mm	400mm	80mm
1053002	105mm	500mm	350mm	80mm
1053003	105mm	550mm	700mm	80mm

## EMACHINESHOP



3/2, Swarnambigai street, Ekkatuthangal,  
Chennai, Tamil Nadu 600032



[sales@emachineshop.in](mailto:sales@emachineshop.in)



[www.emachineshop.in](http://www.emachineshop.in)