

# HORIZONTAL ROTARY CHUCK | 135

---



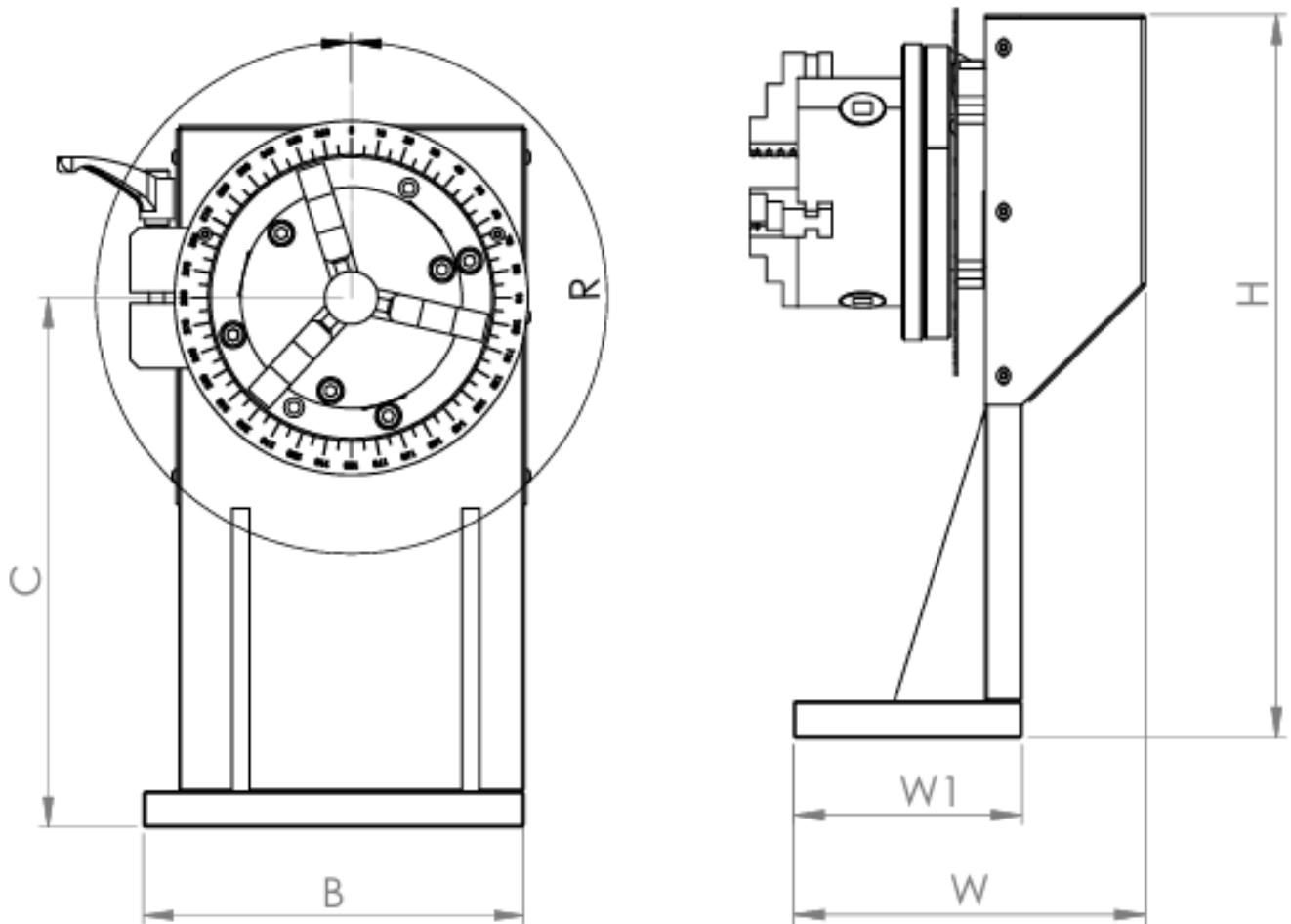
135 - MOTORIZED X, Y TABLE



### Key Features:

- **360° Rotation:** Seamless full-circle movement for versatile positioning.
- **Locking Mechanism:** Automatically locks at every 90° position (0°, 90°, 180°, 270°) ensuring repeatable alignment.
- **T-Slot Design:** Built-in T-slots for flexible mounting of jigs, fixtures, or tools.
- **Durable Build:** Made from high-grade [material – please confirm], ensuring long life under rugged use.
- **Application Ready:** Suitable for CNC tables, welding fixtures, testing equipment, and more.

# 135 - HORIZONTAL ROTARY CHUCK



PART NO.	W	H	L	A	B	C	D	E	R
135	766mm	490mm	46mm	450mm	450mm	7mm	8mm	492.32mm	360

## EMACHINESHOP



3/2, Swarnambigai street, Ekkatuthangal,  
Chennai, Tamil Nadu 600032



[sales@emachineshop.in](mailto:sales@emachineshop.in)



[www.emachineshop.in](http://www.emachineshop.in)

**Where Precision Meets Innovation**